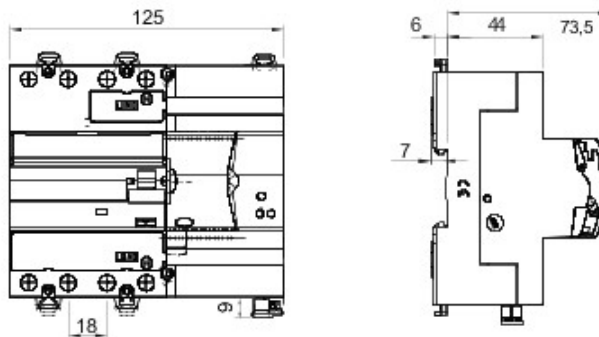




Description	Automatic reclosing device
Code	ReStart Autotest PRO 2P
Rated voltage AC	230 V
Rated current	25 A
No. modules	7
Standard	IEC EN 63024, IEC EN 61008-1
Rated frequency (Hz)	50Hz
Distribution system	TT - TN-S

Rated non-operating resistance between live parts and earth (Rdo)	8kΩ	Insulation voltage	500 V
Rated operating resistance between live parts and earth (Rd)	16 kΩ	Rated impulse withstand voltage	4 kV
Maximum operating frequency	30 oper./h	Overvoltage category	III
Mechanical endurance	4000	Dielectric strength test voltage between pole and earth	2500 Vac for 1 minute
Type of residual current protection	B	Rated residual operating current	30 mA
Operating temperature	-25 +60 °C	Stocking temperature	-40 +70 °C
Type of contacts	Photomos (potential free)	Voltage operating	5-230 V ac/dc
Current operating	0.6mA (min)-100mA cos=1 (max)	Operating frequency	50 Hz
Use category	AC12	Operating modes	NO/NC/NC + pulse
Rated tightening torque	0,4 Nm	Terminal section	≤ 2,5 mm ²
Automatic reclosure for untimely tripping	Yes	Earth failure test	Yes
Continuous system monitoring	Yes	Autotest (automatic RCCB protection test)	Yes
Complete with	One device among: GW90953 Wi-Fi Module GW90992 RS485 BUS Module	Number of poles	2P
Electrocod	1414	Compatibility with WiFi interface	Yes

DIMENSIONAL



STANDARDS/APPROVALS

